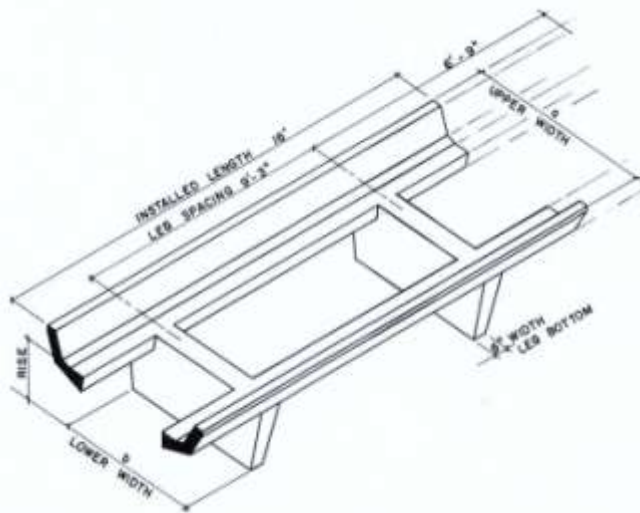


The well proven EVERGREEN MACRO wall, has taken the successful EVERGREEN® technology to the giants:



- **EVERGREEN MACRO – Planted Retaining Wall along Blue Route, Philadelphia, Pennsylvania**
- **At left a retaining wall, at center a free standing sound wall - both walls connect easily.**
- **The big units (16 ft. long) handle easily for maximum efficiency:**
 - for casting,
 - for setting and
 - for handling,
 - for filling



**Single Frame
Evergreen Macro
units combine
many functions:**

- **Stiff Structure,**
- **Gravity Wall,**
- **Planting Tray,**
- **Stacking**
- **Recesses for
bigger Shrubs**





Swing Around Retaining Wall for Target Shopping Center in Huntington, Long Island, NY,

Hmax. = 43 ft.



Evergreen Retaining wall stops a Landslide South Africa -



Retaining Wall in Medina, Saudi Arabia

Dimensions			concrete weight per element	earth fill volume per element	total weight concrete + earth*
element	lower width	upper width			(design weight)
	b	a	kips	cu. yd.	kips per ft.
A	1'-5"	2'-3 1/4"	2.457	1.9	0.47
B	3'-0"	4'-6 1/2"	5.24	4.3	1.12
C	4'-0"	5'-6 1/2"	5.724	5.6	1.43
D	5'-0"	6'-6 1/2"	6.208	7.0	1.75
E	6'-0"	7'-6 1/2"	6.693	8.3	2.08
F	7'-0"	8'-6 1/2"	7.178	9.7	2.41
G	8'-0"	9'-6 1/2"	7.662	11.0	2.72
H	9'-0"	10'-6 1/2"	8.147	12.4	3.06
I	10'-0"	11'-6 1/2"	8.631	13.7	3.39
J	11'-0"	12'-6 1/2"	9.115	15.1	3.73
K	12'-0"	13'-6 1/2"	9.60	16.5	4.08



Design Table

An excavator and three men set a unit in 3 minutes.

Spring Street San Diego I-92, for Caltrans



Natwick Shopping Center Retaining Wall, Boston



Retaining Wall in Smithtown, Long Island, NY

SOUND WALLS



Evergreen Sound Wall at Brussels International Airport,

60 ft., 18m high.

This is the highest sound wall ever built

This wall protects the historical city center of Zaventem from the blasting noise of starting airplanes and it proves extremely satisfactory,

SPECIFICATIONS and INSTALLATION

Fabricate and deliver precast concrete units from the manufacturing plant to the site including transport for building retaining walls, separation walls beneath or above highways and railways and for bridge abutments, even for carrying bridge girders.

The precast concrete units are made of high class standard 5000 psi standard compressive strength concrete BN 35 Mpa, with standard grade 60 reinforcing steel reinforcement type B450A and type B450C, or $f_c=412$. Use epoxy coated reinforcing steel in marine environment.

The actual retaining wall units are designed and dimensions selected for the local geotechnical conditions, the soil pressure loads, traffic loads, and foundation requirements for fulfilling the applicable codes: minimum safety factors against sliding, overturning, and bearing capacity.

Not part of the unit delivery are:

- Site surveying and geotechnical investigations.
- Site longitudinal and transverse sections.
- Drainage concept, scheme, specifications.
- Wall design calculations, typical sections.
- Wall elevations and plan views.
- On site construction control supervision on erection and filling and compaction.
- Quality control and surveying.

The wall structures must be fabricated and erected according to the Evergreen fabrication, transportation, and erection instructions.

The contractor must have a NPCA quality control certification.

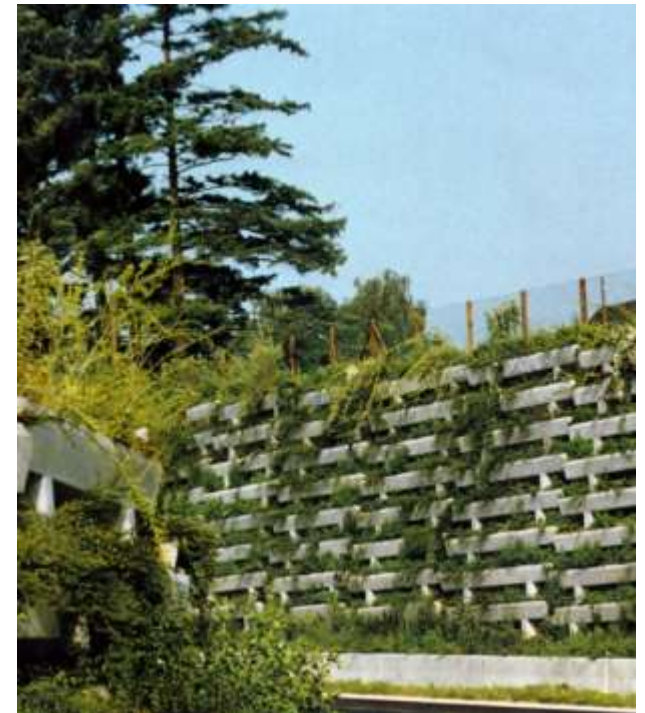


Sound wall in Ehrendingen, Switzerland -

This dramatically changes a noisy neighborhood into a cozy, safe place.



Evergreen sound wall along the Motorway A-2 in Switzerland





Motorway A-51 near Grenoble, France

Left: just after planting and

Right: four years later



Smithtown, Long Island, NY:

Left: After planting and

Right: Two years later

Conclusions: Planting works beautifully and increases quality of life and there is no place for graffiti anymore!



Creek outlet improvements



Evergreen Retaining Wall directly under British Columbia Rail Track



Cassiar Connector, Vancouver, BC – numerous walls



A carefully planted Evergreen Wall in Japan

The longest wall ever built: 9 Miles, 14 km
(Separation wall to protect the bullet train from Paris to Köln in Belgium)



EVERGREEN®

EVERGREEN WALLS, INC.

www.evergreen-walls.com

Main Office:

6069 Oakbrook Parkway, Norcross, Atlanta/Georgia 30093, USA, 770 840 7060

Clay Warner

Principal, Sales and Support, Cell: 404 372 5476, clay.warner@evergreen-walls.com

Felix P. Jaecklin, Ph.D., PE,

Inventor, Concepts, Engineering

Geissbergstr.46, 5408 Ennetbaden/Switzerland Phones

+4156 222 0724, Cell +4179 356 0081
felix.jaecklin@evergreen-walls.com

 **EVERGREEN** Copyright 2014